

Metal Roof Mount

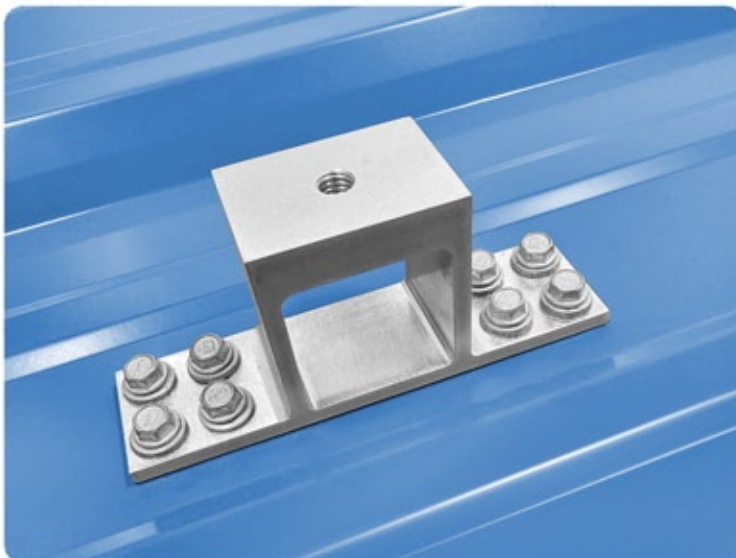
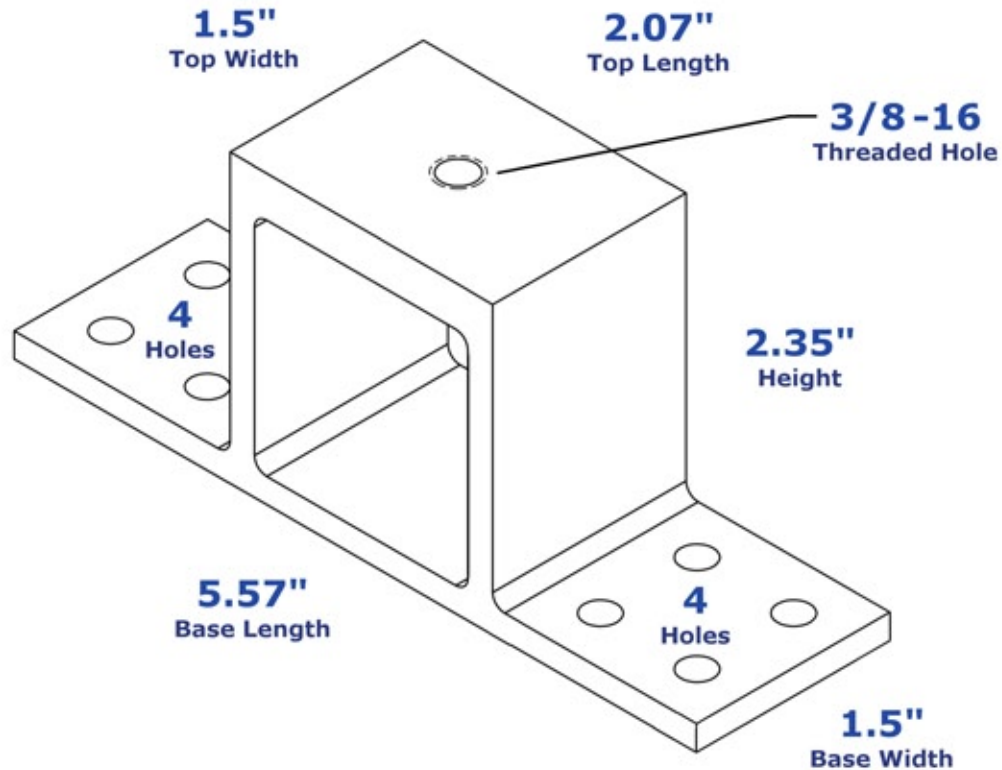
Aluminum Screw-Down Mounting Bracket



1 (800) 766-5291

(717)737-4398

www.SNOBLOX- SNOJAX.com



A revolutionary way to mount anything to an exposed fastener, screw down metal roof.

The heavy-duty screw-down Metal Roof Mount (a.k.a SataBracket when used with SataMount Kit) is designed to fit securely and seamlessly on a wide range of screw-down metal roofs, eliminating the need for modifications to the satellite mount. The proprietary screw-down SataBracket has eight holes for confident fastening to substrates as thin as 1/2 inch thick. The competition only has three fasteners, which may provide almost 1/3 of the attachment strength. The SataBracket is modeled after a time-proven patented RoofClamp design. It only requires a 1 1/2-inch panel flat to be mounted.