

# SnoClea RC/RCT

For Standing Seam Roofs

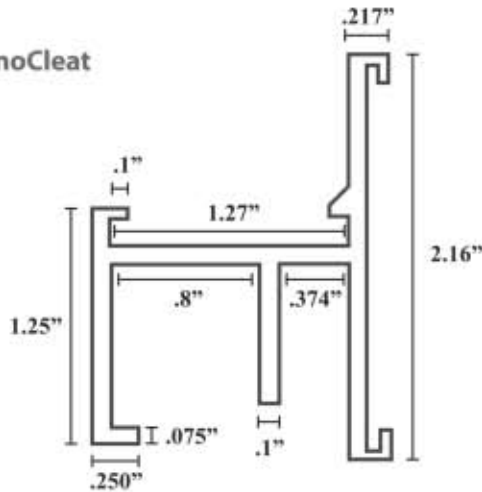


1 (800) 766-5291  
(717) 737-4398

www.SNOBLOX-SNOJAX.com

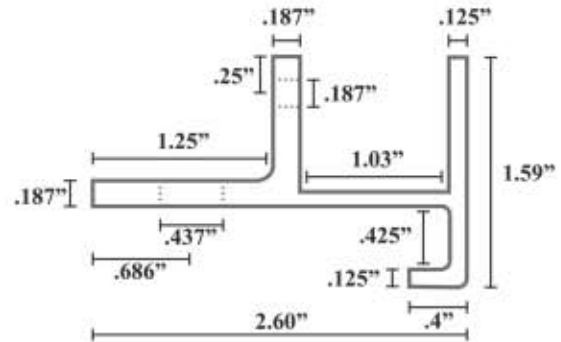


SnoClea



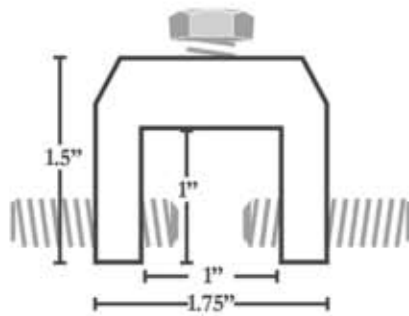
- \* 3.875" Length
- \* 2" Wide Channel In Front Face For ColorStrip

RCB-3 Bracket



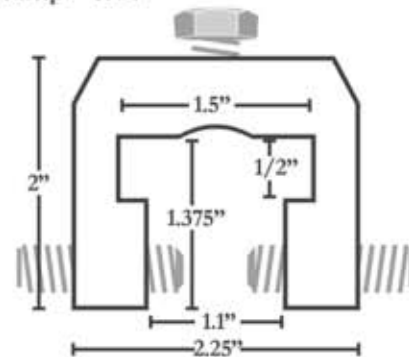
- \* 3" Length

RoofClamp™ RC



- \* Interior dimension measures 1" W. x 1" H.
- \* 1.375" Length.

RcRoofClamp™ RCT



- \* The RCT can accommodate "T" seams up to 1.5" wide.
- \* Interior dimensions measure 1.1" W x 1.375" H
- \* .5" H x 1.5" W seam channel.
- \* 1.375" Length.



The SnoClea RC/RCT is a non-penetrating clamp-on snow guard device, which is fastened to a standing seam metal roof. This device is anchored by 3 Cupped-Tip stainless steel set screws that clamp them in place. They require no glue or sealant and the SnoClea will not restrict thermal movement or contribute to unsightly oil-canning.

The SnoClea products feature a large 4-Inch-wide face designed to accept a 2-inch-wide color strip to match your roof. The RC version fits most standing seams up to 1" wide. Interior Clamp Dimensions are 1" Wide X 1" High. The RCT version fits most standing seams up to 1" wide including bulb seams and t-seams. Interior Clamp Dimensions are 1.1" Wide X 1.375" High. This is the only seam mounted snow guard product to offer an exclusive swivel bracket that allows for angle adjustment in hips and converging valleys. The torque on the mounting bracket can be adjusted to help protect the seams in the event of a heavy snow and ice impact.

- 6063-T5 Aircraft Grade Aluminum Components w/ Stainless Fasteners
- Non-Penetrating Standing Seam Metal Roof Panel Attachment
- Large 4-Inch-Wide Face Accepts Color Strip for Color Matching