

SnoCleaT PBR

For Mechanically Fastened Roof Panels



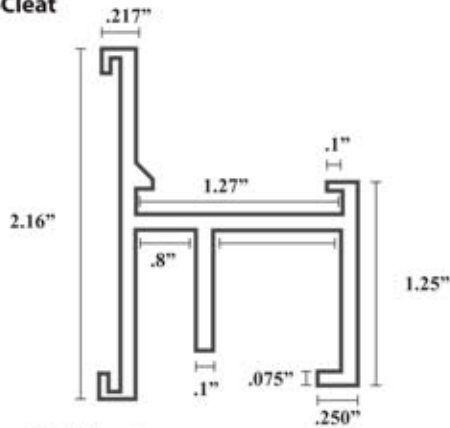
1 (800) 766-5291

(717)737-4398

www.SNOBLOX-SNOJAX.com



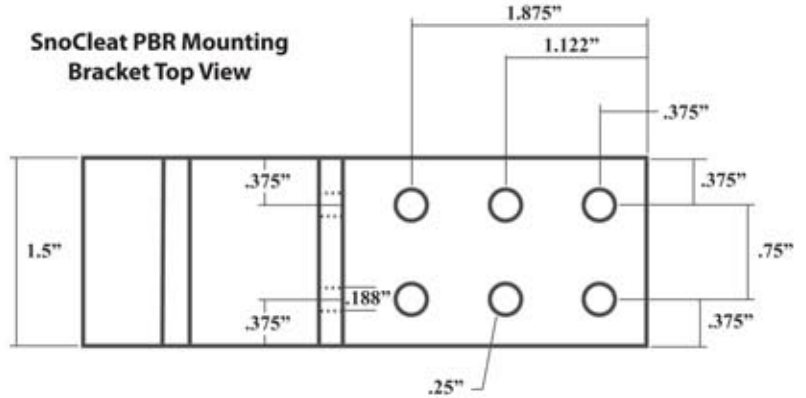
SnoCleaT



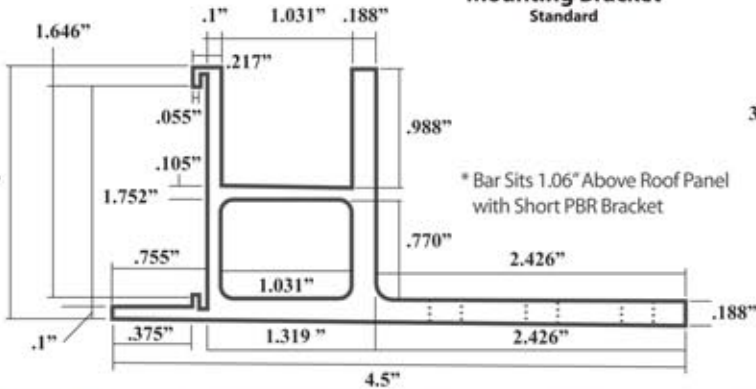
* 3.875" Length

* 2" Wide Channel In Front Face For ColorStrip

SnoCleaT PBR Mounting Bracket Top View

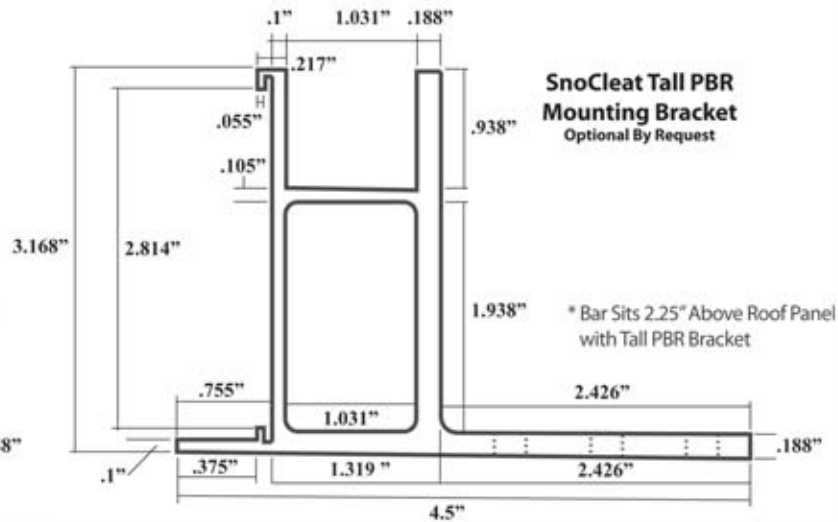


SnoCleaT Short PBR Mounting Bracket Standard

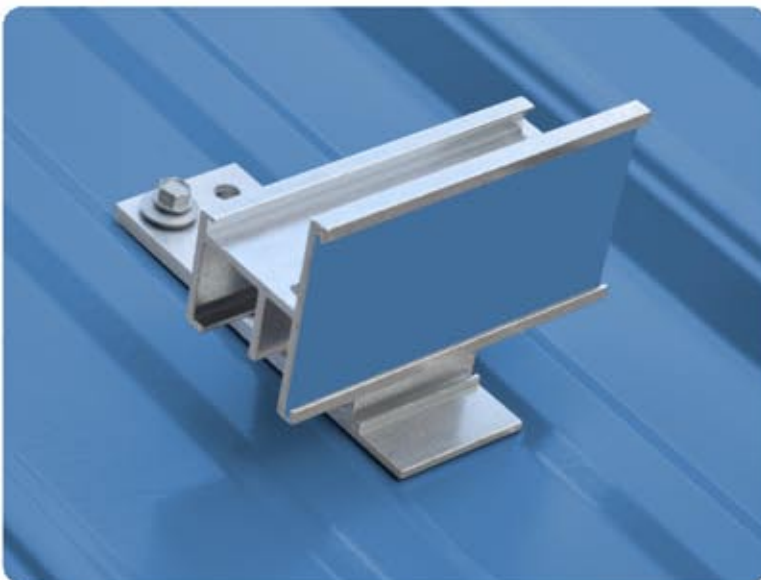


* Bar Sits 1.06" Above Roof Panel with Short PBR Bracket

SnoCleaT Tall PBR Mounting Bracket Optional By Request



* Bar Sits 2.25" Above Roof Panel with Tall PBR Bracket



The SnoCleaT PBR is a screw-down pad style snow guard specially designed for mechanically fastened PBR and R-Panel roofs. This guard can be used on any sloped roof and only requires a 1.5" wide, flat mounting surface. Always review the spacing guidelines before purchasing. This device is mounted utilizing a minimum of 3 staggered #14 roofing screws with neoprene washers. Additional fasteners may be used in the remaining holes if extra holding strength is desired. A foam gasket is supplied for installation between the guard and the panel, eliminating the need for glue or liquid sealant. The SnoCleaT PBR features a large 4-inch-wide face designed to accept a 2-inch-wide color strip to match your roof.

The SnoCleaT PBR is for screw down applications only and adhesive mounting of this guard is not recommended. Snow Guards used in just isolated roof areas such as chimneys, doorways, vents and partial roof sections is not recommended. Mounting screws are sold separately.

- 6063-T5 Aircraft Grade Aluminum Components w/ galvanized fasteners
- Large 4-Inch-Wide Face Accepts Color Strip for Color Matching
- Tall PBR Bracket can be substituted by request for installation on panels with higher seams.