

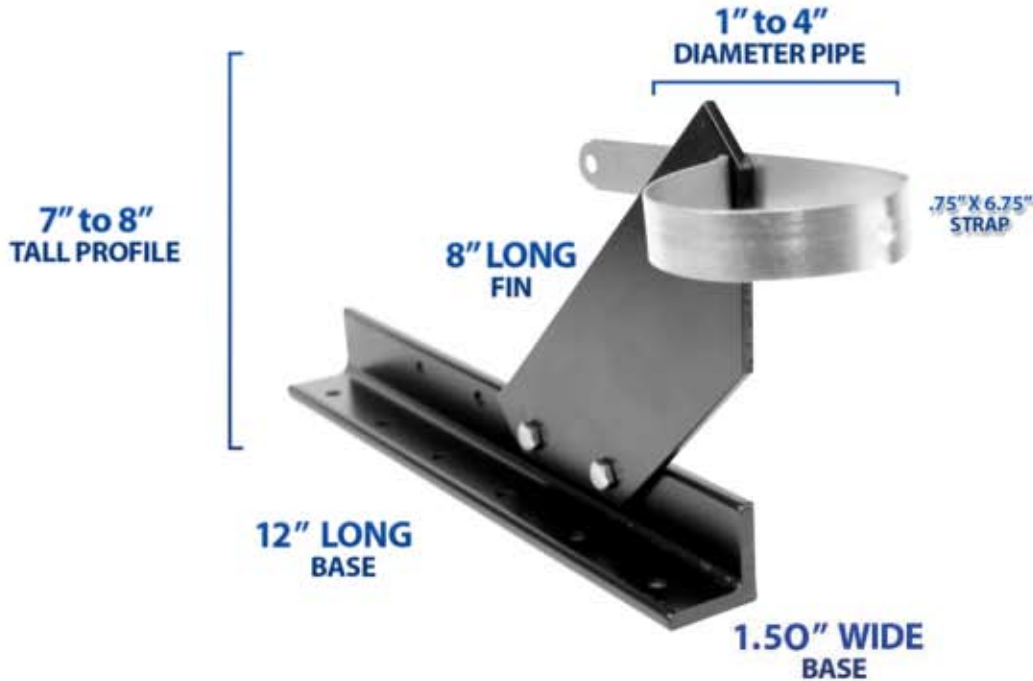
VentSaver FB-151

Vent Pipe Protection. Cricket Eliminator.



1 (800) 766-5291
(717)737-4398

www.SNOBLOX-SNOJAX.com



The smaller of two models. This product adds support and strength to your vent pipes, chimneys or masts while the innovative fin design cuts through and assists in the shedding of snow and ice from your roof. Installation is quick and easy. The VentSaver FB-151 series is made from non-corrosive powder-coated aluminum and a stainless steel strap. Includes stainless steel nuts, bolts and heavy duty 1 1/2" lag screws. The FB-151 series will fit any roof pitch and pipe sizes from 1" to 4" in diameter and provides a 7"-8" standing profile of protection.

Not to be installed on roofs subjected to the impact of snow and ice dropping from unprotected upper roof areas.