

VentSaver P-383

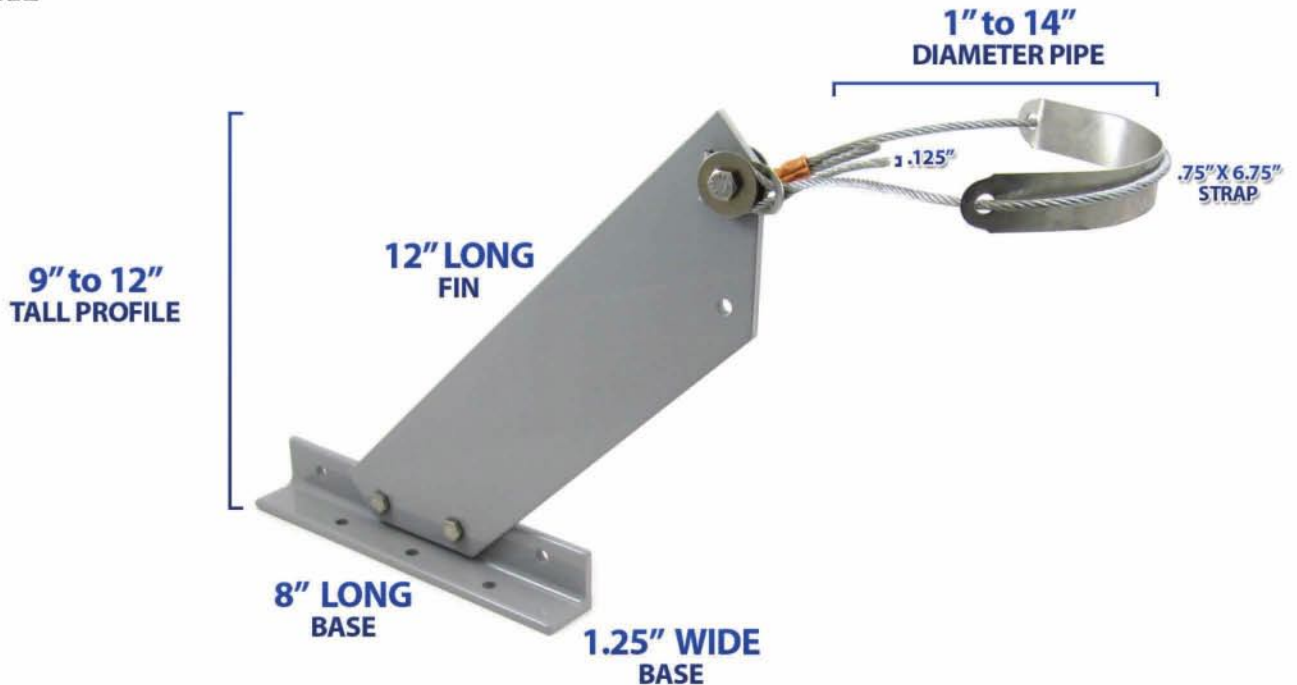
Vent Pipe Protection. Cricket Eliminator.



1 (800) 766-5291

(717)737-4398

www.SNOBLOX- SNOJAX.com



The larger of two models, recommended for heavy snow areas. This product adds support and strength to your vent pipes, chimneys or masts while the innovative fin design cuts through and assists in the shedding of snow and ice from your roof. Installation is quick and easy. The VentSaver P-383 series is made from non-corrosive powder-coated aluminum and stainless steel aircraft cable. Includes stainless steel nuts, bolts and heavy duty 1 1/2" lag screws. The P-383 series will fit any roof pitch and pipe sizes from 1" to 14" in diameter and provides a 9"-12" standing profile to protect taller pipes.

Not to be installed on roofs subjected to the impact of snow and ice dropping from unprotected upper roof areas.